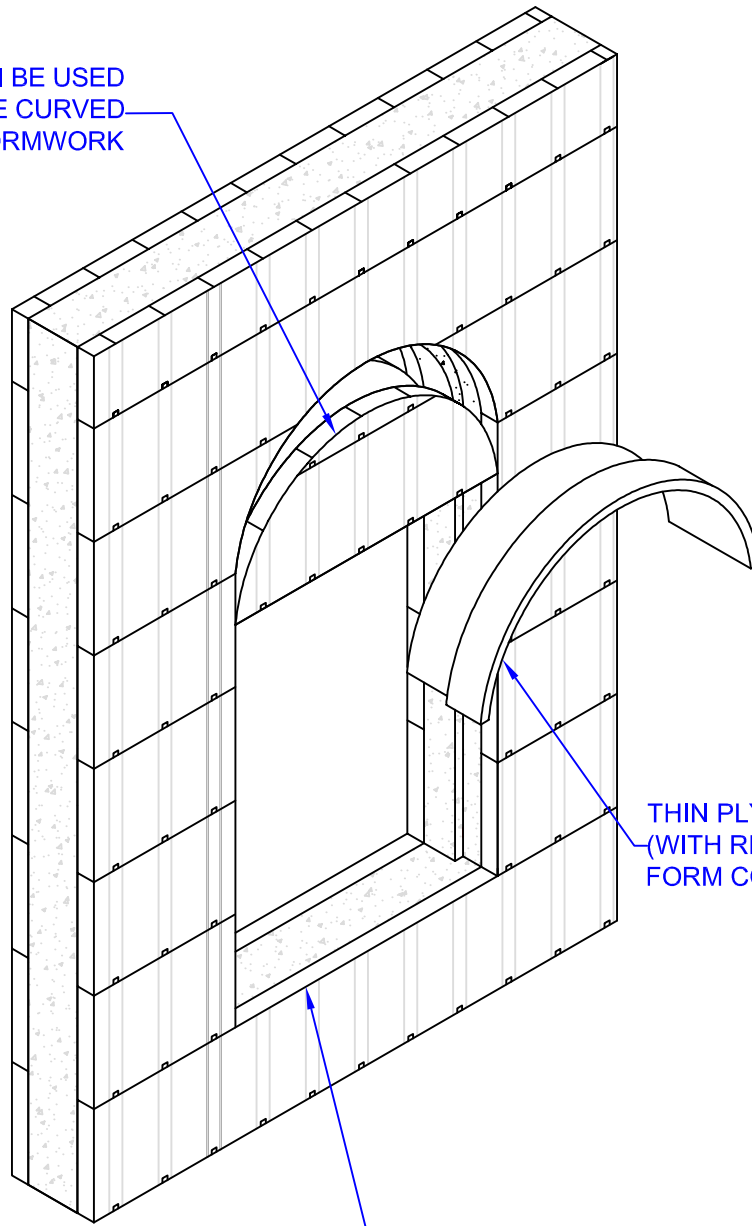


CUT OUT SECTION CAN BE USED  
AS SUPPORT FOR THE CURVED  
TEMPORARY FORMWORK



THIN PLYWOOD OR STEEL  
(WITH REBATE) CURVED TO  
FORM CONCRETE BARRIER

FORM RECTANGULAR OPENING IN USUAL  
MANNER EXCEPT FOR HEAD DETAIL

**AMBIONSE**



Title:

**CONSTRUCTING WINDOW/DOORS  
ARCHED OPENINGS**

Cad ref N°: **CWD-AO**

These details are intended to assist the user in the construction of Ambionse  
insulated concrete formwork structures

Drawn:  
**C COTTLE**

Scale:  
**1:20 @ A4**

Date:  
**NOV 2005**